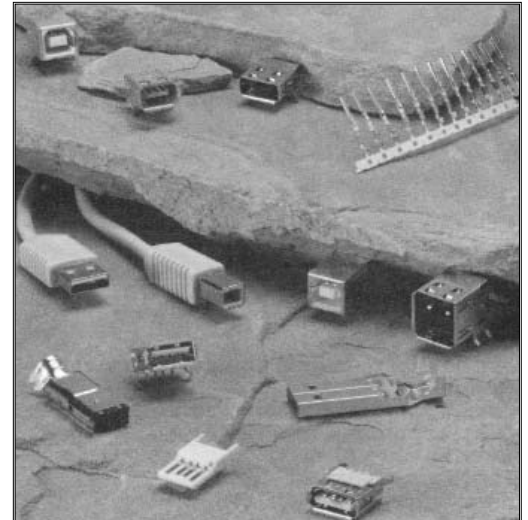


Universal Serial Bus

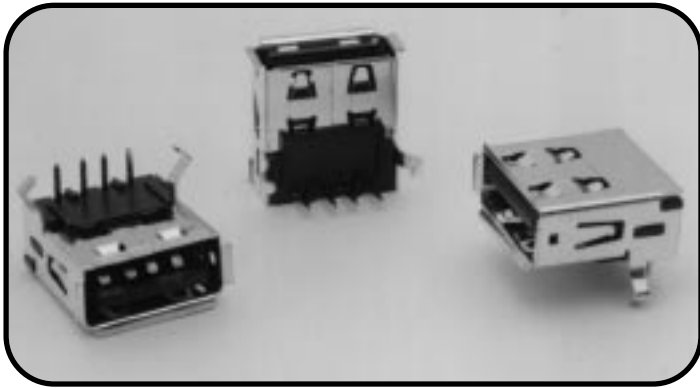
MUSB Series - Right Angle Termination,
Single and Stacked
MIEEE-P1394 Series - Fire Wire Connector

12-2
12-5



MUSB SERIES

Right Angle Termination, Single and Stacked



Performance Specifications

Materials and Finish

Shell: Tin plated, copper alloy
Insert: PBT type D202G30, self-extinguishing, 94V-0 rated, black color

Contact Material: Phosphor bronze

Contact Finish: Palladium nickel

Electrical Characteristics

Contact Current Rating: 1 Amp 100Vac, 2 Amp 12Vdc

Contact Resistance: 30 milliohms maximum

Dielectric Withstanding Voltage: 750 Vac for one minute

Insulation Resistance: 1000 megohms minimum

Mechanical Characteristics

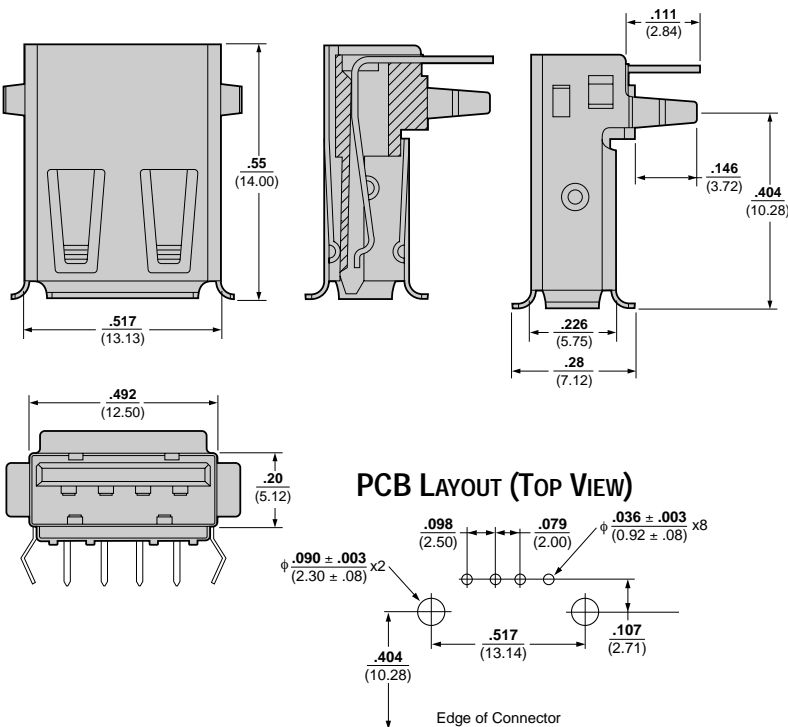
Temperature Rating: -40° C to +245° C

FEATURES

- Plug and play technology
- Hot pluggable
- Single 4, 8-position connectors
- Consolidates serial ports and parallel ports, keyboard ports, mouse ports, and game ports
- Compatible with asynchronous and isochronous data transfer methods
- Compatible with Windows '95 operating system
- Standard feature in new PC chipsets
- Eliminates the need for terminators
- UL and CSA approved E107337 and E145613

MUSB-4R-P

DIMENSIONS – SINGLE TYPE A



HOW TO ORDER

MUSB - 4X - X - X - HT

Series _____

Number of Contacts
4, *8

Termination Type
R—Right angle
V—Vertical
S—SMT

Type
Blank—Standard USB Type A
B — USB Type B

Plating
P—Palladium nickel

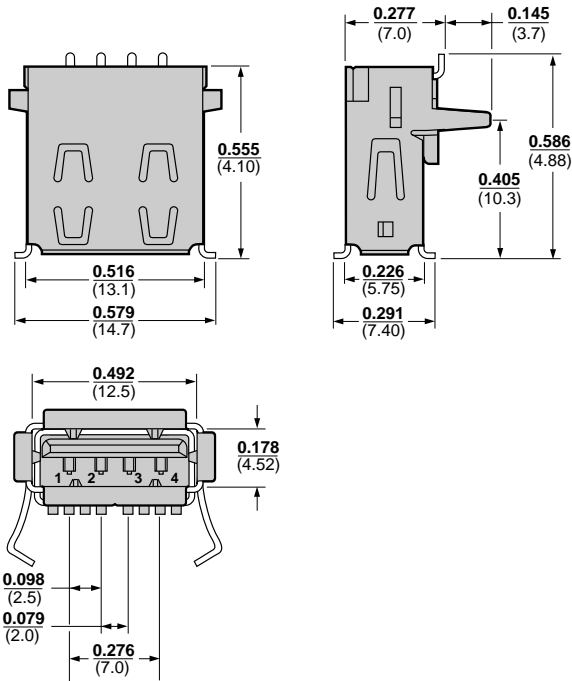
High-Temperature _____

*8P right angle only

UNIVERSAL SERIAL BUSS

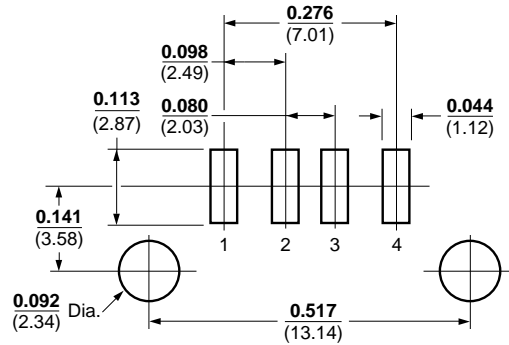
MUSB-4R-S Right Angle Termination, Single, Surface Mount

DIMENSIONS - SINGLE TYPE A



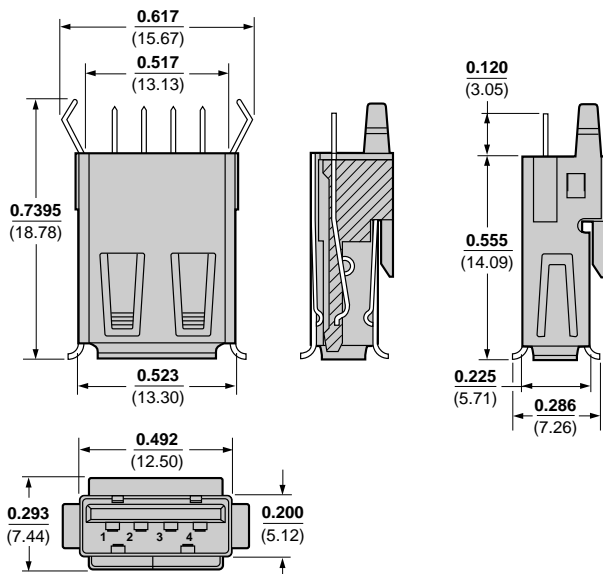
MAXCONN - (Back to Table of Contents)

PCB LAYOUT (TOP VIEW)

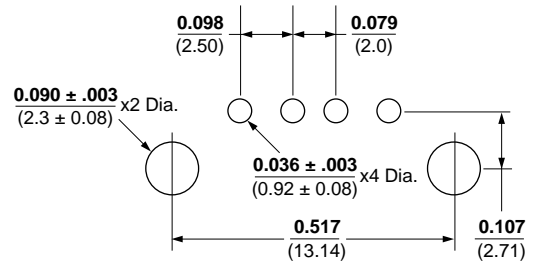


MUSB-4V Vertical Termination, Single Vertical PCB Mount

DIMENSIONS - VERTICAL TYPE A



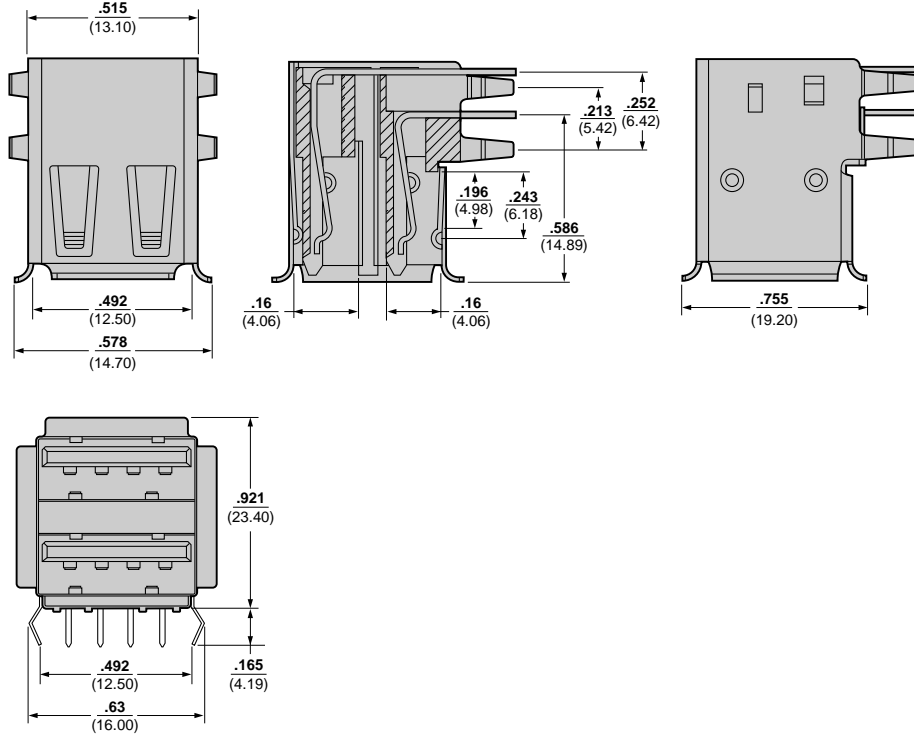
PCB LAYOUT (TOP VIEW)



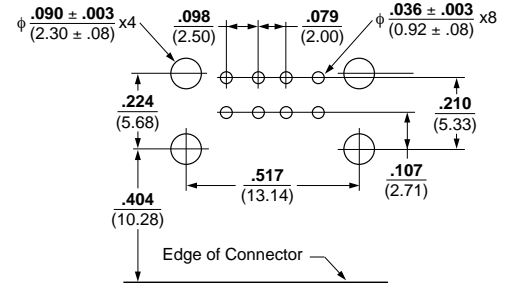
MUSB-8R-P

Right Angle Termination,
Single, Stacked PCB Mount

DIMENSIONS – STACKED TYPE A



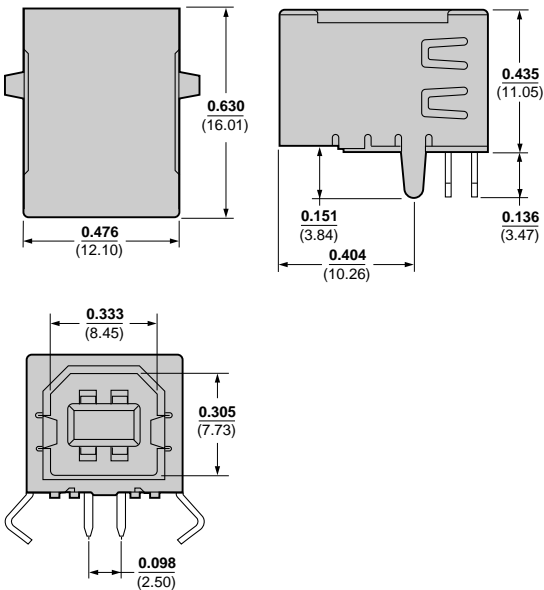
PCB LAYOUT (TOP VIEW)



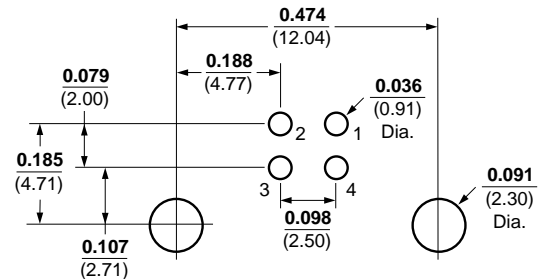
MUSB-4R-B

Right Angle Termination, Type A
Single PCB Mount

DIMENSIONS – SINGLE TYPE B

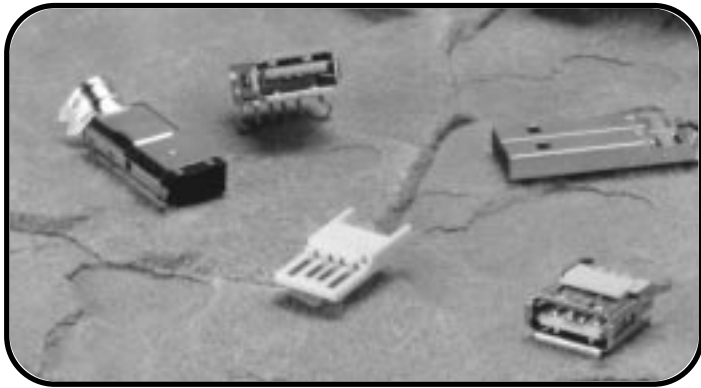


PCB LAYOUT (TOP VIEW)



MIEEE-P1394 SERIES

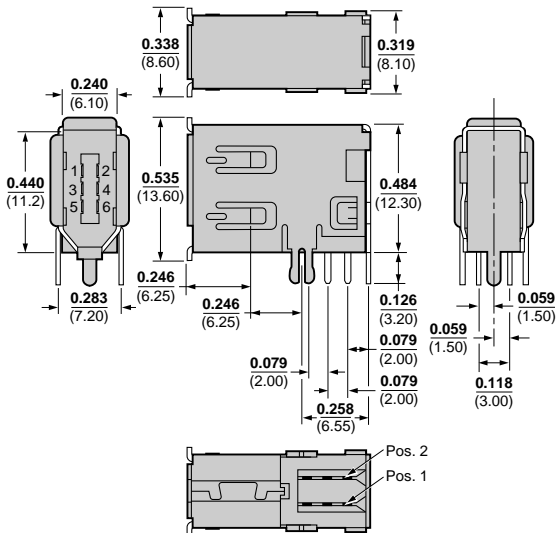
Fire Wire Connector



FEATURES

- Compliance with TA1394, IEEE, and JEDEC standards
- UL and CSA approved
- Hot pluggable
- Fast data 100 Mbps – 1Gbps
- Through hole or surface mount
- UL and CSA approved E107337 and E145613

DIMENSIONS – SINGLE, SIDE RIGHT ANGLE



Performance Specifications

Materials and Finish

- Shell:** Phosphor bronze 100 microinch, tin plated over 40 microinch minimum nickel
- Housing:** PBT UL 94V-0 type D202G30, black color
- Contact Material:** Brass, selective gold flash over palladium nickel with tin leads
- Contact Finish:** 1.05 microinch minimum, gold flash over 0.75 microinch minimum palladium in mating area over 1.25 microinch minimum nickel

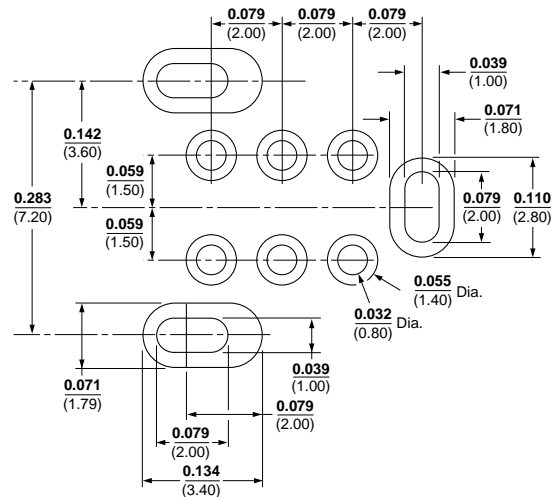
Electrical Characteristics

- Contact Current Rating:** 1 Amp 100Vac, 2 Amp 12Vdc
- Contact Resistance:** 30 milliohms maximum
- Dielectric Withstanding Voltage:** 750 Vac for one minute
- Insulation Resistance:** 1000 megohms minimum

Mechanical Characteristics

- Temperature Rating:** -40° C to + 245° C ± 5° C

PCB LAYOUT (TOP VIEW)



HOW TO ORDER

MIEEE – P1394 – 6 – XX X – P

- Series**
- Number of Contacts**
6—Single
12—Dual row (side by side)
- Termination Type**
Blank—Through hole
SR—Side right angle
R—Right angle
V—Vertical
- PCB Termination**
Blank—Through-hole
S—Surface mount
- Plating**
P—Palladium nickel